

Oil drain plugs

Magnetic drain bolts designed to pick up excess bits of metal in your engine oil. Available in black anodized color for aluminum (Tecnum) and titanium (Pro Bolt) drain bolts. With safety wire holes.



tecnum
Alu black anodised

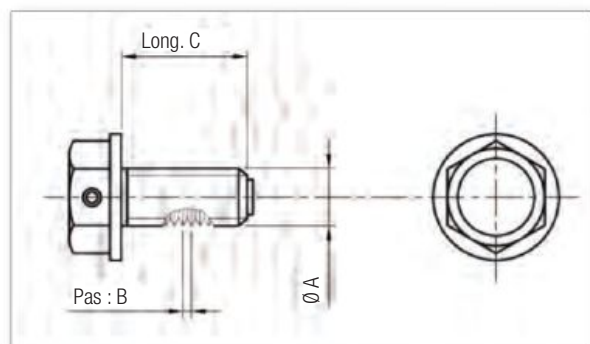


PB Pro-Bolt
Titanium

| ØA X B X C | tecnum | | PB Pro-Bolt Titanium Magnetic 21€ 21,70 |
|-------------------|----------------------------|--------------------------|---|
| | Unmagnetized 9€ 9,95 | Magnetic 11€ 11,95 | |
| M8 x 1.25 x 16 | 89 306 000 | | |
| M8 x 1.25 x 20 | 89 306 001 | | |
| M8 x 1.25 x 35 | 89 306 002 | | |
| M10 x 1.25 x 14 | 89 306 003 | 891 632 | |
| M10 x 1.5 x 14 | 89 306 004 | 891 633 | |
| M12 x 1.25 x 14 | 89 306 005 | 891 637 | |
| M12 x 1.5 x 13 | 89 306 006 | 891 618 | |
| M12 x 1.5 x 15 | | | 530000TI |
| M14 x 1.25 x 12 | | | 530001TI |
| M14 x 1.25 x 13.5 | 89 306 007 | 891 620 | |
| M14 x 1.5 x 12 | | | 530002TI |
| M14 x 1.5 x 13.5 | 89 306 008 | 891 619 | |
| M16 x 1.5 x 14 | 89 306 009 | 891 635 | |
| M19 x 1.5 x 14 | 89 306 010 | 891 621 | |
| M20 x 1.5 x 14 | 89 306 011 | 891 634 | |

CODE C

CODE E



Set of 4 aluminium oil drain seals

Including:
M8 x 12mm - M10 x 16mm
M12 x 18mm - M14 x 20mm

2€
2,60
CODE C



893 479



| | | Sizes A X B X C | tecnum | | | PB Pro-Bolt Titanium Magnetic | |
|----------------------|-------|------------------|--------------------------|----------|---------|-------------------------------------|------------------|
| | | | Aluminium / Black colour | | | | |
| | | | Unmagnetized | Magnetic | | | |
| BMW | | | | | | | |
| R850 GS, R | 98-07 | M16 X 1.5 X 14 | 89 306 009 | 9,30 € | 891 635 | 11,95 € | |
| S1000RR, S1000R, HP4 | 08-19 | M16 X 1.5 X 14 | 89 306 009 | 9,30 € | 891 635 | 11,95 € | |
| R1100 GS, R | 92-01 | M16 X 1.5 X 14 | 89 306 009 | 9,30 € | 891 635 | 11,95 € | |
| R1150 GS, R | 98-06 | M16 X 1.5 X 14 | 89 306 009 | 9,30 € | 891 635 | 11,95 € | |
| R1200 GS, R | 06-19 | M16 X 1.5 X 14 | 89 306 009 | 9,30 € | 891 635 | 11,95 € | |
| K1200 RS, S | 07-12 | M16 X 1.5 X 14 | 89 306 009 | 9,30 € | 891 635 | 11,95 € | |
| K1300 R, S | 07-16 | M16 X 1.5 X 14 | 89 306 009 | 9,30 € | 891 635 | 11,95 € | |
| DUCATI | | | | | | | |
| Monster 996 S4R | 03-06 | M12 X 1.5 X 13 | 89 306 006 | 9,30 € | 891 618 | 11,95 € | 530000TI 21,70 € |
| HONDA | | | | | | | |
| CA125 REBEL | 95-99 | M12 X 1.5 X 13 | 89 306 006 | 9,30 € | 891 618 | 11,95 € | 530000TI 21,70 € |
| CB125S | 76-85 | M12 X 1.5 X 13 | 89 306 006 | 9,30 € | 891 618 | 11,95 € | 530000TI 21,70 € |
| CB125T | 82-88 | M12 X 1.5 X 13 | 89 306 006 | 9,30 € | 891 618 | 11,95 € | 530000TI 21,70 € |
| CBR125 | 04-16 | M12 X 1.5 X 13 | 89 306 006 | 9,30 € | 891 618 | 11,95 € | 530000TI 21,70 € |
| CB500 ,T | 94-02 | M14 X 1.5 X 13.5 | 89 306 008 | 9,30 € | 891 619 | 11,95 € | 530002TI 21,70 € |
| CB500F | 13-19 | M12 X 1.5 X 13 | 89 306 006 | 9,30 € | 891 618 | 11,95 € | 530000TI 21,70 € |
| CB500S | 13-19 | M12 X 1.5 X 13 | 89 306 006 | 9,30 € | 891 618 | 11,95 € | 530000TI 21,70 € |
| CB500X | 13-19 | M12 X 1.5 X 13 | 89 306 006 | 9,30 € | 891 618 | 11,95 € | 530000TI 21,70 € |
| CBF500 | 04-07 | M14 X 1.5 X 13.5 | 89 306 008 | 9,30 € | 891 619 | 11,95 € | 530002TI 21,70 € |
| CX500 C/D | 78-81 | M12 X 1.5 X 13 | 89 306 006 | 9,30 € | 891 618 | 11,95 € | 530000TI 21,70 € |
| CB600F Hornet | 98-13 | M12 X 1.5 X 13 | 89 306 006 | 9,30 € | 891 618 | 11,95 € | 530000TI 21,70 € |
| CBF600N | 04-07 | M12 X 1.5 X 13 | 89 306 006 | 9,30 € | 891 618 | 11,95 € | 530000TI 21,70 € |
| CBF600 S,N | 04-07 | M12 X 1.5 X 13 | 89 306 006 | 9,30 € | 891 618 | 11,95 € | 530000TI 21,70 € |
| CBR600F/2/3 | 87-98 | M12 X 1.5 X 13 | 89 306 006 | 9,30 € | 891 618 | 11,95 € | 530000TI 21,70 € |
| CBR600F4i | 99-06 | M12 X 1.5 X 13 | 89 306 006 | 9,30 € | 891 618 | 11,95 € | 530000TI 21,70 € |
| CBR600RR | 03-17 | M12 X 1.5 X 13 | 89 306 006 | 9,30 € | 891 618 | 11,95 € | 530000TI 21,70 € |
| VT600C | 88-99 | M14 X 1.5 X 13.5 | 89 306 008 | 9,30 € | 891 619 | 11,95 € | 530002TI 21,70 € |
| XL600V | 87-99 | M14 X 1.5 X 13.5 | 89 306 008 | 9,30 € | 891 619 | 11,95 € | 530002TI 21,70 € |

CODE C

CODE C

CODE E

Oil drain plugs



| | | Sizes A X B X C | tecnium | | Titanium Magnetic |
|---|-------|------------------|--------------------------|----------|----------------------------------|
| | | | Aluminium / Black colour | | |
| | | | Unmagnetized | Magnetic | |
| HONDA | | | | | |
| CB650F | 14-18 | M12 X 1.5 X 13 | 89 306 006 | 9,30 € | 891 618 11,95 € 530000TI 21,70 € |
| CBR650F | 14-19 | M12 X 1.5 X 13 | 89 306 006 | 9,30 € | 891 618 11,95 € 530000TI 21,70 € |
| NT650V | 98-06 | M14 X 1.5 X 13.5 | 89 306 008 | 9,30 € | 891 619 11,95 € 530002TI 21,70 € |
| NTV650 | 88-97 | M14 X 1.5 X 13.5 | 89 306 008 | 9,30 € | 891 619 11,95 € 530002TI 21,70 € |
| XL650V | 00-07 | M14 X 1.5 X 13.5 | 89 306 008 | 9,30 € | 891 619 11,95 € 530002TI 21,70 € |
| XRV650 | 98-99 | M14 X 1.5 X 13.5 | 89 306 008 | 9,30 € | 891 619 11,95 € 530002TI 21,70 € |
| NT700V | 06-13 | M14 X 1.5 X 13.5 | 89 306 008 | 9,30 € | 891 619 11,95 € 530002TI 21,70 € |
| XL700V | 08-11 | M14 X 1.5 X 13.5 | 89 306 008 | 9,30 € | 891 619 11,95 € 530002TI 21,70 € |
| CB750 SEVEN FIFTY | 94-03 | M12 X 1.5 X 13 | 89 306 006 | 9,30 € | 891 618 11,95 € 530000TI 21,70 € |
| RVF750 | 94 | M12 X 1.5 X 13 | 89 306 006 | 9,30 € | 891 618 11,95 € 530000TI 21,70 € |
| VF750C Magna | 93-99 | M12 X 1.5 X 13 | 89 306 006 | 9,30 € | 891 618 11,95 € 530000TI 21,70 € |
| VFR750 | 90-97 | M12 X 1.5 X 13 | 89 306 006 | 9,30 € | 891 618 11,95 € 530000TI 21,70 € |
| VT750 Shadow | 97-12 | M14 X 1.5 X 13.5 | 89 306 008 | 9,30 € | 891 619 11,95 € 530002TI 21,70 € |
| XRV750 | 90-03 | M14 X 1.5 X 13.5 | 89 306 008 | 9,30 € | 891 619 11,95 € 530002TI 21,70 € |
| VFR800 | 98-09 | M12 X 1.5 X 13 | 89 306 006 | 9,30 € | 891 618 11,95 € 530000TI 21,70 € |
| CB900F Hornet | 02-07 | M12 X 1.5 X 13 | 89 306 006 | 9,30 € | 891 618 11,95 € 530000TI 21,70 € |
| CBR900RR | 92-99 | M12 X 1.5 X 13 | 89 306 006 | 9,30 € | 891 618 11,95 € 530000TI 21,70 € |
| CBR929RR | 00-01 | M12 X 1.5 X 13 | 89 306 006 | 9,30 € | 891 618 11,95 € 530000TI 21,70 € |
| CBR954RR | 02-03 | M12 X 1.5 X 13 | 89 306 006 | 9,30 € | 891 618 11,95 € 530000TI 21,70 € |
| CB1000F Big one | 95-96 | M14 X 1.5 X 13.5 | 89 306 008 | 9,30 € | 891 619 11,95 € 530002TI 21,70 € |
| CB1000R | 08-17 | M12 X 1.5 X 13 | 89 306 006 | 9,30 € | 891 618 11,95 € 530000TI 21,70 € |
| CB 1000 R NEO SPORTS CAFE ABS (SC80) | 18-19 | M12 X 1.5 X 13 | 89 306 006 | 9,30 € | 891 618 11,95 € 530000TI 21,70 € |
| CBF1000 | 01-16 | M12 X 1.5 X 13 | 89 306 006 | 9,30 € | 891 618 11,95 € 530000TI 21,70 € |
| CBF1000F | 10-16 | M12 X 1.5 X 13 | 89 306 006 | 9,30 € | 891 618 11,95 € 530000TI 21,70 € |
| CBF1000 S,T | 07-10 | M12 X 1.5 X 13 | 89 306 006 | 9,30 € | 891 618 11,95 € 530000TI 21,70 € |
| CBR1000F | 96-99 | M14 X 1.5 X 13.5 | 89 306 008 | 9,30 € | 891 619 11,95 € 530002TI 21,70 € |
| CBR1000RR Fireblade | 06-07 | M12 X 1.5 X 13 | 89 306 006 | 9,30 € | 891 618 11,95 € 530000TI 21,70 € |
| CBR1000RR Fireblade | 08-17 | M12 X 1.5 X 13 | 89 306 006 | 9,30 € | 891 618 11,95 € 530000TI 21,70 € |
| CRF1000 AFRICA TWIN | 16-19 | M12 X 1.5 X 13 | 89 306 006 | 9,30 € | 891 618 11,95 € 530000TI 21,70 € |
| CRF 1000 L AFRICA TWIN ADVENTURE SPORT ABS (SD06) | 18-19 | M12 X 1.5 X 13 | 89 306 006 | 9,30 € | 891 618 11,95 € 530000TI 21,70 € |
| CBR1100XX | 97-07 | M14 X 1.5 X 13.5 | 89 306 008 | 9,30 € | 891 619 11,95 € 530002TI 21,70 € |
| VTF1000F | 98-05 | M12 X 1.5 X 13 | 89 306 006 | 9,30 € | 891 618 11,95 € 530000TI 21,70 € |
| VTR1000 F FIRESTORM | 97-06 | M12 X 1.5 X 13 | 89 306 006 | 9,30 € | 891 618 11,95 € 530000TI 21,70 € |
| VTR1000 SP1 - RC51 | 00-01 | M12 X 1.5 X 13 | 89 306 006 | 9,30 € | 891 618 11,95 € 530000TI 21,70 € |
| VTR1000 SP2 - RC51 | 02-06 | M12 X 1.5 X 13 | 89 306 006 | 9,30 € | 891 618 11,95 € 530000TI 21,70 € |
| CB 1100 X11 | 00-01 | M14 X 1.5 X 13.5 | 89 306 008 | 9,30 € | 891 619 11,95 € 530002TI 21,70 € |
| ST1100 PAN EUROPEAN | 90-00 | M12 X 1.5 X 13 | 89 306 006 | 9,30 € | 891 618 11,95 € 530000TI 21,70 € |
| CB1300 ,F,S | 03-10 | M14 X 1.5 X 13.5 | 89 306 008 | 9,30 € | 891 619 11,95 € 530002TI 21,70 € |
| GL 1500 GOLD WING | 88-02 | M14 X 1.5 X 13.5 | 89 306 008 | 9,30 € | 891 619 11,95 € 530002TI 21,70 € |
| GL 1800 GOLD WING | 06-19 | M14 X 1.5 X 13.5 | 89 306 008 | 9,30 € | 891 619 11,95 € 530002TI 21,70 € |
| KAWASAKI | | | | | |
| GPX250R | 86-90 | M12 X 1.5 X 13 | 89 306 006 | 9,30 € | 891 618 11,95 € 530000TI 21,70 € |
| Ninja 250R | 92-12 | M12 X 1.5 X 13 | 89 306 006 | 9,30 € | 891 618 11,95 € 530000TI 21,70 € |
| GPZ 500 S | 99-09 | M12 X 1.5 X 13 | 89 306 006 | 9,30 € | 891 618 11,95 € 530000TI 21,70 € |
| ER-5 | 98-06 | M12 X 1.5 X 13 | 89 306 006 | 9,30 € | 891 618 11,95 € 530000TI 21,70 € |
| GPZ500 | 87-03 | M12 X 1.5 X 13 | 89 306 006 | 9,30 € | 891 618 11,95 € 530000TI 21,70 € |
| ER6-N, F | 05-17 | M12 X 1.5 X 13 | 89 306 006 | 9,30 € | 891 618 11,95 € 530000TI 21,70 € |
| ZX-6R | 95-17 | M12 X 1.5 X 13 | 89 306 006 | 9,30 € | 891 618 11,95 € 530000TI 21,70 € |
| ZZR600 | 03-08 | M12 X 1.5 X 13 | 89 306 006 | 9,30 € | 891 618 11,95 € 530000TI 21,70 € |
| KLE650 Versys, ABS, SPECIAL EDITION | 10-19 | M12 X 1.5 X 13 | 89 306 006 | 9,30 € | 891 618 11,95 € 530000TI 21,70 € |
| KLR650 | 87-12 | M12 X 1.5 X 13 | 89 306 006 | 9,30 € | 891 618 11,95 € 530000TI 21,70 € |
| W650 | 00-02 | M12 X 1.5 X 13 | 89 306 006 | 9,30 € | 891 618 11,95 € 530000TI 21,70 € |
| Z650 | 17-19 | M12 X 1.5 X 13 | 89 306 006 | 9,30 € | 891 618 11,95 € 530000TI 21,70 € |
| ZR7, S | 99-03 | M12 X 1.5 X 13 | 89 306 006 | 9,30 € | 891 618 11,95 € 530000TI 21,70 € |
| ZX-7R | 91-03 | M12 X 1.5 X 13 | 89 306 006 | 9,30 € | 891 618 11,95 € 530000TI 21,70 € |
| VN750 Vulcan | 86-06 | M12 X 1.5 X 13 | 89 306 006 | 9,30 € | 891 618 11,95 € 530000TI 21,70 € |
| Z750 | 04-13 | M12 X 1.5 X 13 | 89 306 006 | 9,30 € | 891 618 11,95 € 530000TI 21,70 € |
| VN800 | 95-06 | M12 X 1.5 X 13 | 89 306 006 | 9,30 € | 891 618 11,95 € 530000TI 21,70 € |

CODE C

CODE C

CODE E



ENGINE
ELECTRICAL PARTS
CHASSIS
MOTORCYCLE EQUIPMENT
RACING
ADVENTURE
VINTAGE
MAINTENANCE
ACCESSORIES
LUBRICANTS

Oil drain plugs



| | | Sizes A X B X C | tecnium | | Titanium Magnetic | |
|---|-------|-------------------|--------------------------|----------|----------------------|------------------|
| | | | Aluminium / Black colour | | | |
| | | | Unmagnetized | Magnetic | | |
| KAWASAKI | | | | | | |
| Z800, ABS, E VERSION, SPECIAL EDITION | 13-17 | M12 X 1.5 X 13 | 89 306 006 | 9,30 € | 891 618 11,95 € | 530000TI 21,70 € |
| GTR1000 | 86-05 | M12 X 1.5 X 13 | 89 306 006 | 9,30 € | 891 618 11,95 € | 530000TI 21,70 € |
| Z1000, ABS, R, SPECIAL EDITION | 03-19 | M12 X 1.5 X 13 | 89 306 006 | 9,30 € | 891 618 11,95 € | 530000TI 21,70 € |
| Z1000 SX | 11-19 | M12 X 1.5 X 13 | 89 306 006 | 9,30 € | 891 618 11,95 € | 530000TI 21,70 € |
| ZX-10R, ABS, SPECIAL EDITION, RR, | 04-19 | M12 X 1.5 X 13 | 89 306 006 | 9,30 € | 891 618 11,95 € | 530000TI 21,70 € |
| ZZR1100 | 93-01 | M12 X 1.5 X 13 | 89 306 006 | 9,30 € | 891 618 11,95 € | 530000TI 21,70 € |
| ZX-12R | 00-06 | M12 X 1.5 X 13 | 89 306 006 | 9,30 € | 891 618 11,95 € | 530000TI 21,70 € |
| GTR1400 | 08-18 | M12 X 1.5 X 13 | 89 306 006 | 9,30 € | 891 618 11,95 € | 530000TI 21,70 € |
| ZZR1400, ABS, SPECIAL EDITION, PERFORMANCE SPORT | 06-19 | M12 X 1.5 X 13 | 89 306 006 | 9,30 € | 891 618 11,95 € | 530000TI 21,70 € |
| VN1500 | 96-08 | M12 X 1.5 X 13 | 89 306 006 | 9,30 € | 891 618 11,95 € | 530000TI 21,70 € |
| VN1700 | 09-12 | M12 X 1.5 X 13 | 89 306 006 | 9,30 € | 891 618 11,95 € | 530000TI 21,70 € |
| VN2000 | 04-10 | M12 X 1.5 X 13 | 89 306 006 | 9,30 € | 891 618 11,95 € | 530000TI 21,70 € |
| SUZUKI | | | | | | |
| DRZ400E/S/SM | 00-16 | M12 X 1.25 X 10 | 891 633 | 11,95 € | 89 306 004 9,00 € | |
| GSF600N, S Bandit | 00-04 | M14 X 1.25 X 13.5 | 89 306 007 | 9,30 € | 891 620 11,95 € | 530001TI 21,70 € |
| GSR600 | 06-10 | M14 X 1.25 X 13.5 | 89 306 007 | 9,30 € | 891 620 11,95 € | 530001TI 21,70 € |
| GSX-R600 | 01-17 | M14 X 1.25 X 13.5 | 89 306 007 | 9,30 € | 891 620 11,95 € | 530001TI 21,70 € |
| LS650 | 05-11 | M10 X 1.5 X 14 | 89 306 004 | 9,30 € | 891 633 11,95 € | |
| GSF650 N, S | 07-12 | M14 X 1.25 X 13.5 | 89 306 007 | 9,30 € | 891 620 11,95 € | 530001TI 21,70 € |
| GSX650F | 08-12 | M14 X 1.25 X 13.5 | 89 306 007 | 9,30 € | 891 620 11,95 € | 530001TI 21,70 € |
| SV650N, S | 99-10 | M12 X 1.25 X 10 | 891 633 | 11,95 € | 89 306 004 9,00 € | |
| GLADIUS SFV 650 | 09-15 | M12 X 1.25 X 10 | 891 633 | 11,95 € | 89 306 004 9,00 € | |
| GSR750 | 11-17 | M14 X 1.25 X 13.5 | 89 306 007 | 9,30 € | 891 620 11,95 € | 530001TI 21,70 € |
| GSX-R750 | 01-17 | M14 X 1.25 X 13.5 | 89 306 007 | 9,30 € | 891 620 11,95 € | 530001TI 21,70 € |
| VZ800 | 05-12 | M14 X 1.25 X 13.5 | 89 306 007 | 9,30 € | 891 620 11,95 € | 530001TI 21,70 € |
| DL1000 | 02-12 | M14 X 1.25 X 13.5 | 89 306 007 | 9,30 € | 891 620 11,95 € | 530001TI 21,70 € |
| GSX-R1000, ABS, SPECIAL EDITION | 01-19 | M14 X 1.25 X 13.5 | 89 306 007 | 9,30 € | 891 620 11,95 € | 530001TI 21,70 € |
| GSX-R1000 R, SPECIAL EDITION | 17-19 | M14 X 1.25 X 13.5 | 89 306 007 | 9,30 € | 891 620 11,95 € | 530001TI 21,70 € |
| SV1000N, S | 03-09 | M14 X 1.25 X 13.5 | 89 306 007 | 9,30 € | 891 620 11,95 € | 530001TI 21,70 € |
| GSF1200 | 00-05 | M14 X 1.25 X 13.5 | 89 306 007 | 9,30 € | 891 620 11,95 € | 530001TI 21,70 € |
| GSF1250S, SA | 07-12 | M14 X 1.25 X 13.5 | 89 306 007 | 9,30 € | 891 620 11,95 € | 530001TI 21,70 € |
| GSX1300R Hayabusa | 99-12 | M14 X 1.25 X 13.5 | 89 306 007 | 9,30 € | 891 620 11,95 € | 530001TI 21,70 € |
| TRIUMPH | | | | | | |
| Daytona 675, R | 06-16 | M14 X 1.5 X 13.5 | 89 306 008 | 9,30 € | 891 619 11,95 € | 530002TI 21,70 € |
| Thruxton 865 | 04-09 | M14 X 1.5 X 13.5 | 89 306 008 | 9,30 € | 891 619 11,95 € | 530002TI 21,70 € |
| YAMAHA | | | | | | |
| FZS600 Fazer | 97-99 | M12 X 1.5 X 13 | 89 306 006 | 9,30 € | 891 618 11,95 € | 530000TI 21,70 € |
| FZR600 Genesis | 89-93 | M12 X 1.5 X 13 | 89 306 006 | 9,30 € | 891 618 11,95 € | 530000TI 21,70 € |
| FZ6 | 04-13 | M14 X 1.5 X 13.5 | 89 306 008 | 9,30 € | 891 619 11,95 € | 530002TI 21,70 € |
| XJ6N, S | 09-16 | M14 X 1.5 X 13.5 | 89 306 008 | 9,30 € | 891 619 11,95 € | 530002TI 21,70 € |
| YZF600R Thundercat | 96-04 | M14 X 1.5 X 13.5 | 89 306 008 | 9,30 € | 891 619 11,95 € | 530002TI 21,70 € |
| YZF-R6 | 99-19 | M14 X 1.5 X 13.5 | 89 306 008 | 9,30 € | 891 619 11,95 € | 530002TI 21,70 € |
| MT-07, ABS, MOTO CAGE | 14-19 | M14 X 1.5 X 13.5 | 89 306 008 | 9,30 € | 891 619 11,95 € | 530002TI 21,70 € |
| MT-09, ABS, SP, SPORT TRACKER, STREET RALLY | 14-19 | M14 X 1.5 X 13.5 | 89 306 008 | 9,30 € | 891 619 11,95 € | 530002TI 21,70 € |
| FZ1 N, S | 06-16 | M14 X 1.5 X 13.5 | 89 306 008 | 9,30 € | 891 619 11,95 € | 530002TI 21,70 € |
| YZF-R1 | 98-14 | M14 X 1.5 X 13.5 | 89 306 008 | 9,30 € | 891 619 11,95 € | 530002TI 21,70 € |
| VMX1200 V-Max | 91-06 | M14 X 1.5 X 13.5 | 89 306 008 | 9,30 € | 891 619 11,95 € | 530002TI 21,70 € |
| VMX1700 V-Max | 09-16 | M14 X 1.5 X 13.5 | 89 306 008 | 9,30 € | 891 619 11,95 € | 530002TI 21,70 € |

CODE C

CODE C

CODE E

Oil drain plug gasket

| | Ø | | |
|-------------|-----------|---------|---------|
| 100 pcs box | 19x14x2mm | 893 573 | 59,90 € |
| 100 pcs box | 24x18x2mm | 893 572 | 69,90 € |

CODE C

